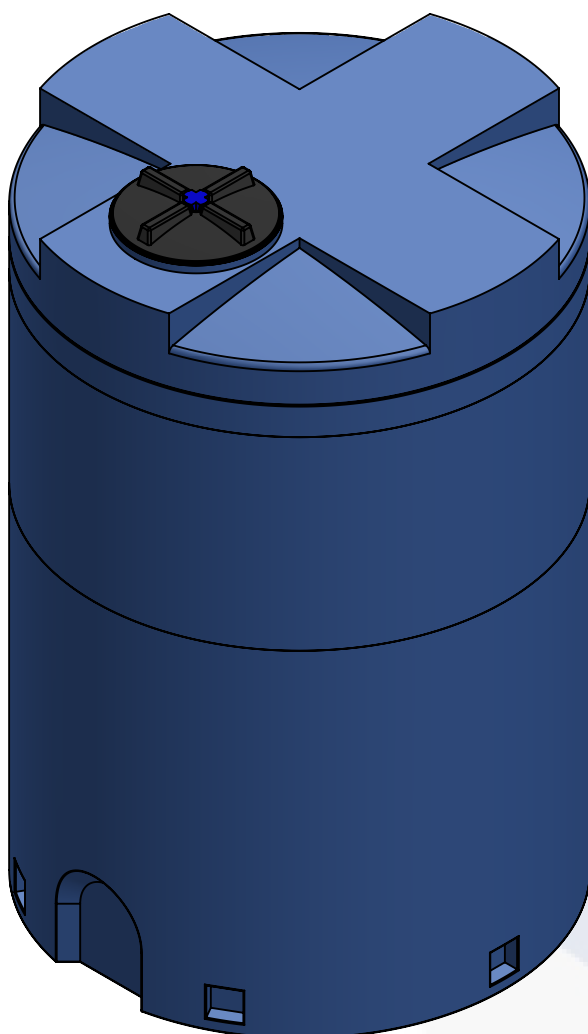
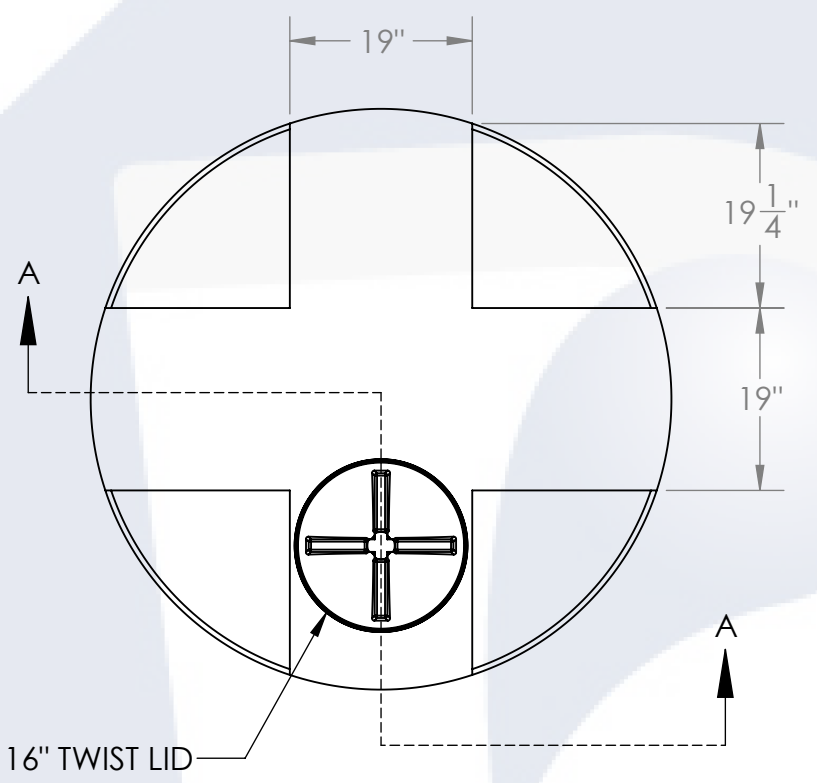


8 7 6 5 4 3 2 1

D  
C  
B  
A



**ISOMETRIC VIEW  
(ASSEMBLED)**



**PLAN VIEW**

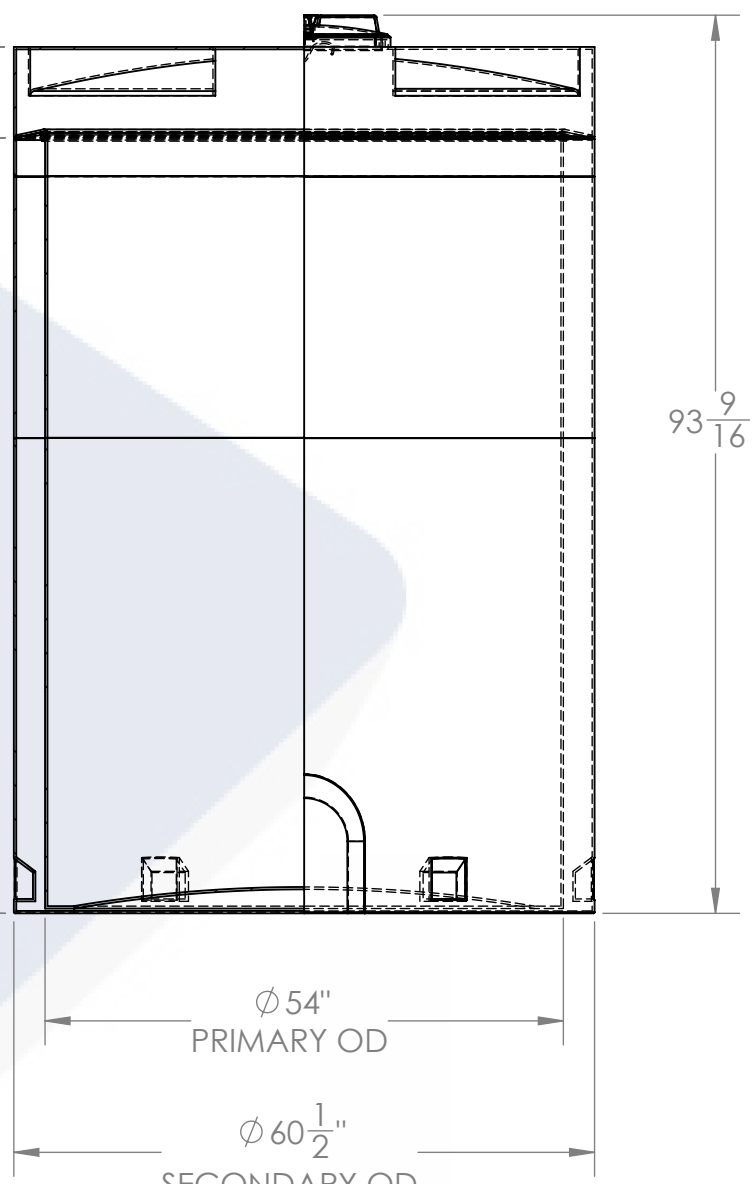
16" TWIST LID

9 1/2"  
PUMP PEDESTAL

90 1/4"  
PLATFORM

80 3/4"  
SIDEWALL

93 9/16"



Ø 54"  
PRIMARY OD

Ø 60 1/2"  
SECONDARY OD

**SECTION A-A**

ALTERNATE CONFIGURATION TO MEET  
NSF/ANSI STANDARD 61 AVAILABLE

**PROPRIETARY AND CONFIDENTIAL**  
THE INFORMATION CONTAINED IN THIS DRAWING IS THE SOLE PROPERTY OF PEABODY ENGINEERING. ANY REPRODUCTION IN PART OR AS A WHOLE WITHOUT THE WRITTEN PERMISSION OF PEABODY ENGINEERING IS PROHIBITED.

UNLESS OTHERWISE SPECIFIED:		NAME	DATE	
DIMENSIONS ARE IN INCHES TOLERANCES: ±1/4" ANGULAR: ± .5° ONE PLACE DECIMAL: ± .25 TWO PLACE DECIMAL: ± .125 THREE PLACE DECIMAL: ± .063		DRAWN	SMF 12/15/22	
TANK MATERIAL: LPE		CHECKED		PROJECT: GEMINI DUAL CONTAINMENT TANKS
INNER TANK S/N:		ENG APPR.		CUSTOMER: PEABODY STANDARD
OUTER TANK S/N:		MFG APPR.		SITE/LOCATION: -
CUSTOMER PO#		Q.A.		SALES ORDER:
DO NOT SCALE DRAWING				SIZE    DESC.    REV. <b>B</b> 750 GALLON GEMINI TANK, Ø61" x 94"    -
		SCALE: 1:20		SHEET 1 OF 1