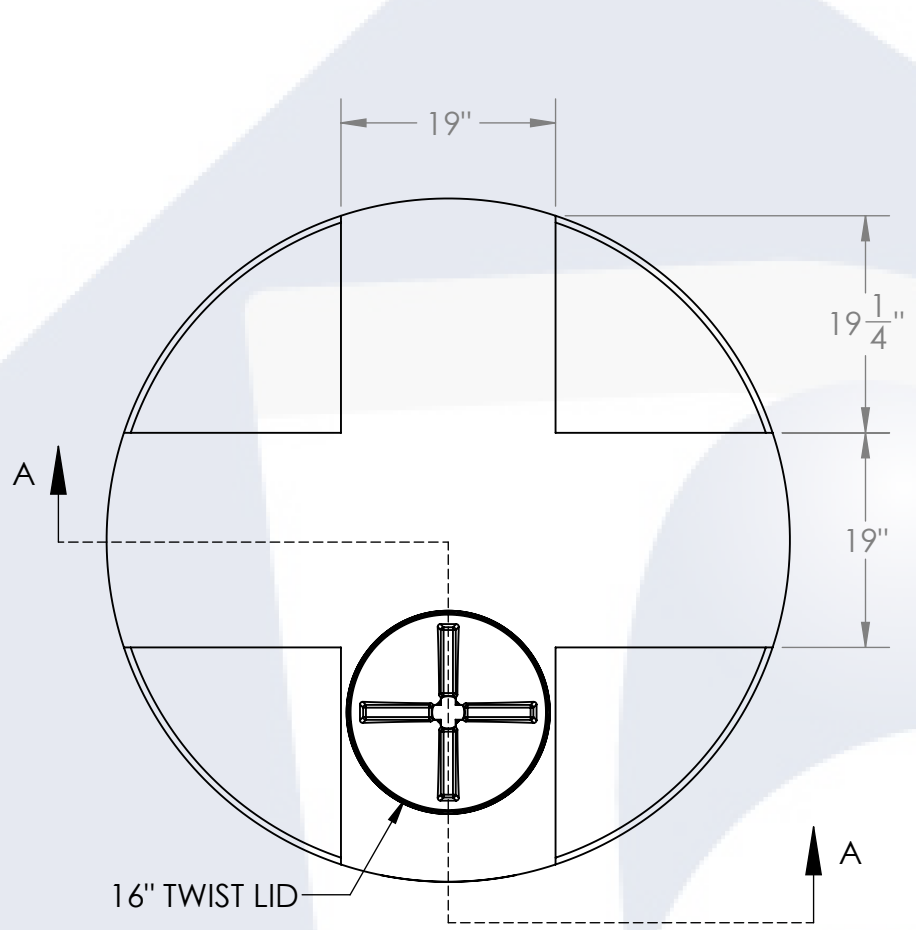
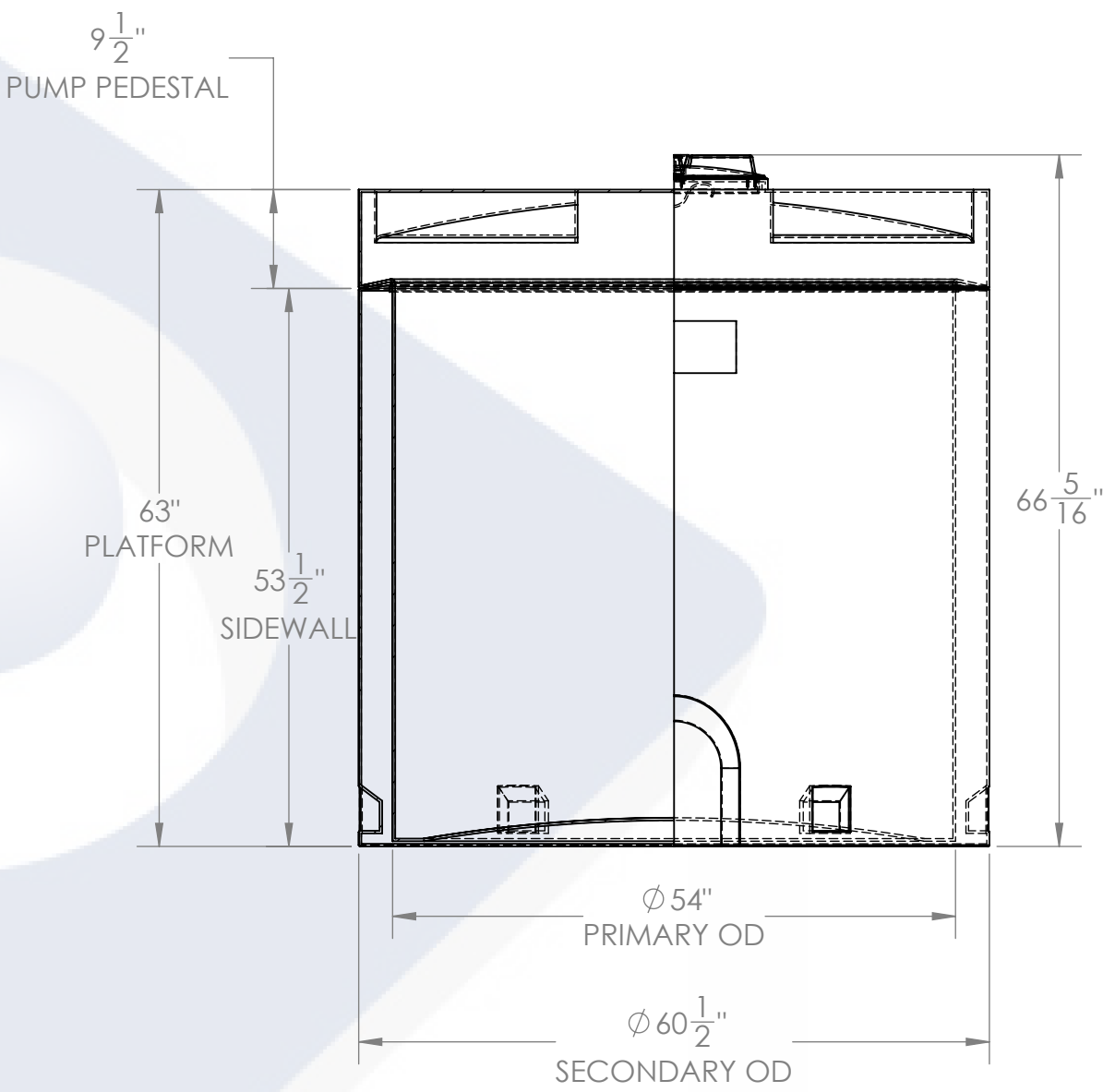


**ISOMETRIC VIEW
(ASSEMBLED)**



PLAN VIEW



SECTION A-A

ALTERNATE CONFIGURATION TO MEET
NSF/ANSI STANDARD 61 AVAILABLE

PROPRIETARY AND CONFIDENTIAL
THE INFORMATION CONTAINED IN THIS
DRAWING IS THE SOLE PROPERTY OF
PEABODY ENGINEERING. ANY
REPRODUCTION IN PART OR AS A WHOLE
WITHOUT THE WRITTEN PERMISSION OF
PEABODY ENGINEERING IS
PROHIBITED.

UNLESS OTHERWISE SPECIFIED:
DIMENSIONS ARE IN INCHES
TOLERANCES: ±1/4"
ANGULAR: ±.5°
ONE PLACE DECIMAL: ±.25
TWO PLACE DECIMAL: ±.125
THREE PLACE DECIMAL: ±.063
TANK MATERIAL: **LPE**
INNER TANK S/N:
OUTER TANK S/N:
CUSTOMER PO#
DO NOT SCALE DRAWING

	NAME	DATE
DRAWN	JDM	3/24/22
CHECKED		
ENG APPR.		
MFG APPR.		
Q.A.		

PROJECT: GEMINI DUAL CONTAINMENT TANKS		
CUSTOMER: PEABODY STANDARD		
SITE/LOCATION: -		
SALES ORDER:		
SIZE	DESC.	REV.
B	500 GALLON GEMINI TANK, Ø61" x 67"	B1
SCALE: 1:17		SHEET 1 OF 1

500 GALLON GEMINI TANK, Ø61" x 67"	PART NUMBER	
	BLUE	NATURAL
LPE (1.5)	01-14876	01-14875
LPE (1.9)	01-29780	01-29771
XLPE (1.5)	CALL FOR INFO	01-30134
XLPE (1.9)	CALL FOR INFO	01-30145
ALTERNATIVE MATERIALS, COLOR, AND ACCESSORIES ARE AVAILABLE. CALL FOR ADDITIONAL INFO.		