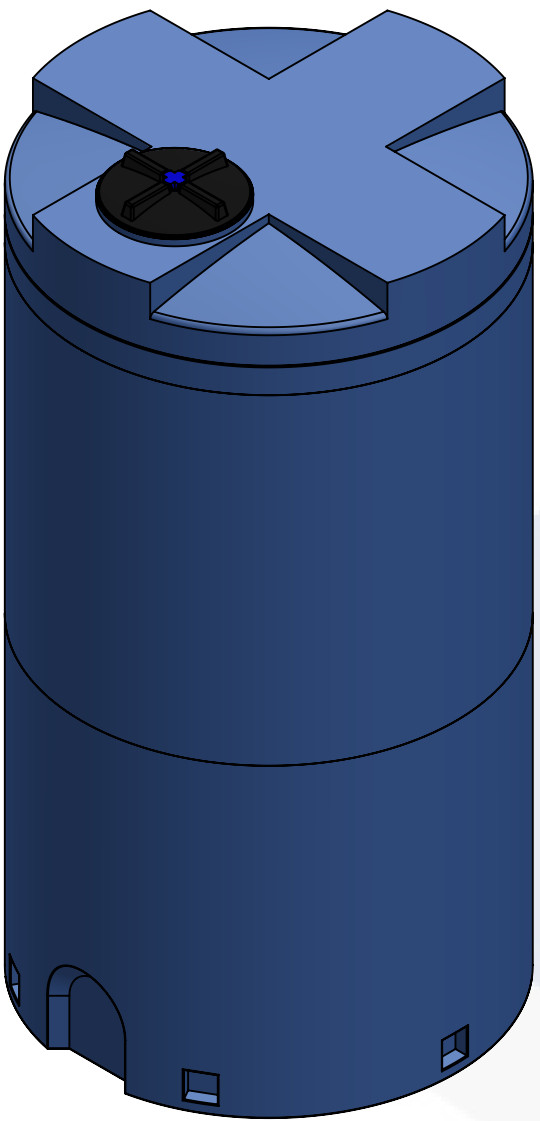
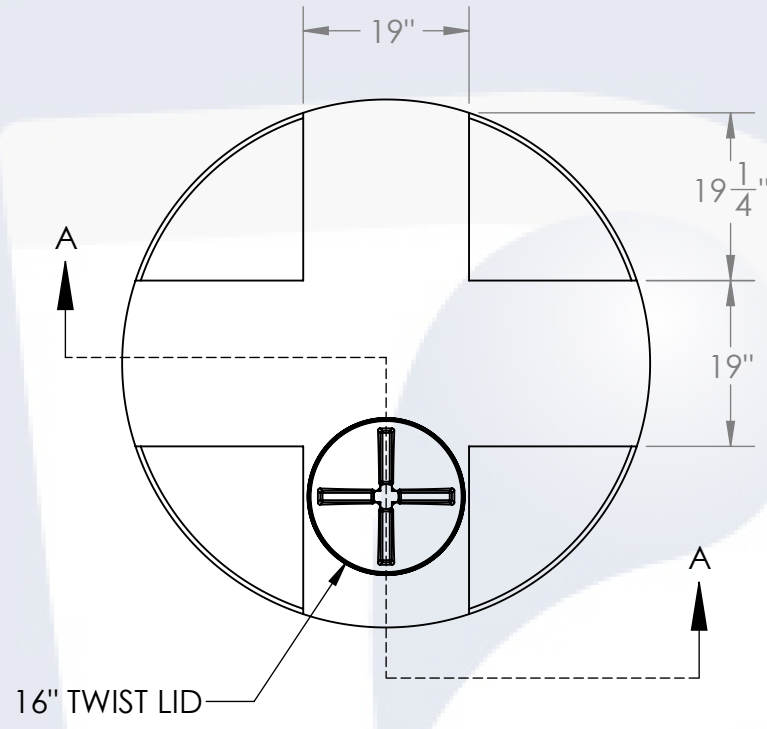


D
C
B
A



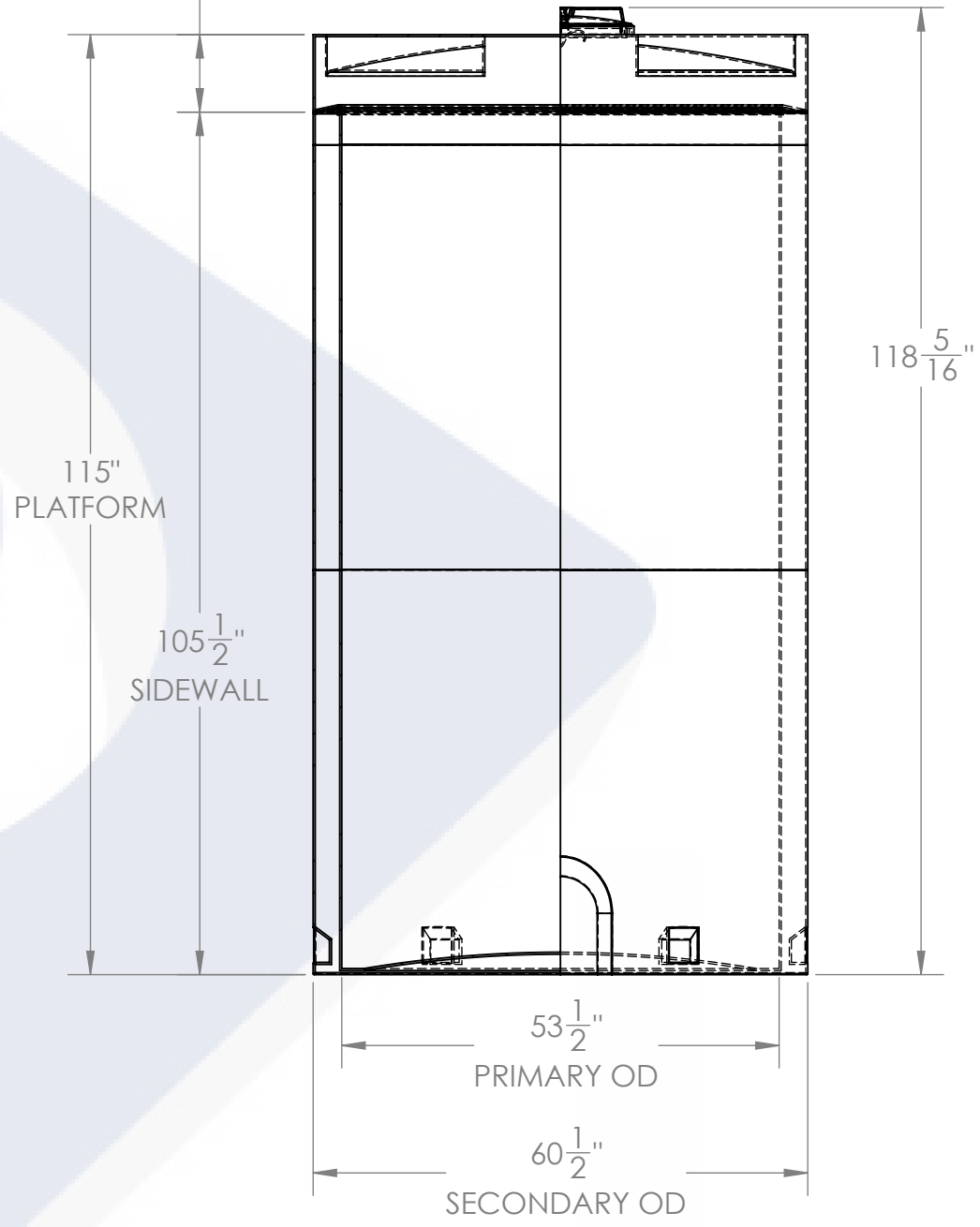
**ISOMETRIC VIEW
(ASSEMBLED)**



PLAN VIEW

16" TWIST LID

9 1/2"
PUMP PEDESTAL



SECTION A-A

ALTERNATE CONFIGURATION TO MEET
NSF/ANSI STANDARD 61 AVAILABLE

PROPRIETARY AND CONFIDENTIAL
THE INFORMATION CONTAINED IN THIS DRAWING IS THE SOLE PROPERTY OF PEABODY ENGINEERING. ANY REPRODUCTION IN PART OR AS A WHOLE WITHOUT THE WRITTEN PERMISSION OF PEABODY ENGINEERING IS PROHIBITED.

UNLESS OTHERWISE SPECIFIED:
DIMENSIONS ARE IN INCHES
TOLERANCES: ±1/4"
ANGULAR: ±.5°
ONE PLACE DECIMAL: ±.25
TWO PLACE DECIMAL: ±.125
THREE PLACE DECIMAL: ±.063

TANK MATERIAL: **LPE**

INNER TANK S/N:

OUTER TANK S/N:

CUSTOMER PO#

DO NOT SCALE DRAWING

	NAME	DATE
DRAWN	SMF	12/15/22
CHECKED		
ENG APPR.		
MFG APPR.		
Q.A.		

PROJECT: GEMINI DUAL CONTAINMENT TANKS		
CUSTOMER: PEABODY STANDARD		
SITE/LOCATION: -		
SALES ORDER:		
SIZE	DESC.	REV.
B	1000 GALLON GEMINI TANK, Ø61" x 119"	-
SCALE: 1:22		SHEET 1 OF 1