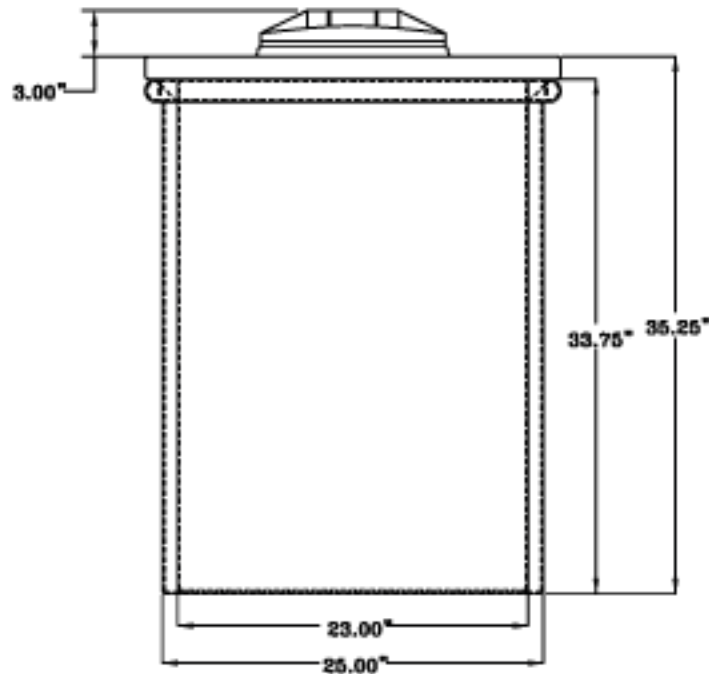


PLAN VIEW



62 GALLON



ELEVATION VIEW

- NOTES: TANK DESCRIPTION UNLESS OTHERWISE SPECIFIED
1. STANDARD TANKS HAS GEMINI GRAPHICS. GEMINI TANKS ARE RATED FOR 1.9 SPECIFIC GRAVITY. FOR CUSTOM COMPANY LOGOS, ASK YOUR SALES ASSOCIATE.
 2. TANK CAPACITY: INNER TANK 62 GALLONS
 3. TANK CAPACITY: OUTER TANK 73 GALLONS
 4. COLOR: NATURAL OR BLUE
 5. MATERIAL: 100% CORROSION-FREE POLYETHYLENE



CUSTOMER:

DWG. TITLE **STANDARD DUAL CONTAINMENT
TANK SYSTEM - 62 GALLON**

DRAWN BY: D. MEADOWS	DATE: 9/15/05	DWG. NUMBER G62
-------------------------	------------------	---------------------------

CHECKED BY:
L. PEABODY

APPROVED BY:

DRAWING NOT TO SCALE

SHEET REV.

1 OF 1

A