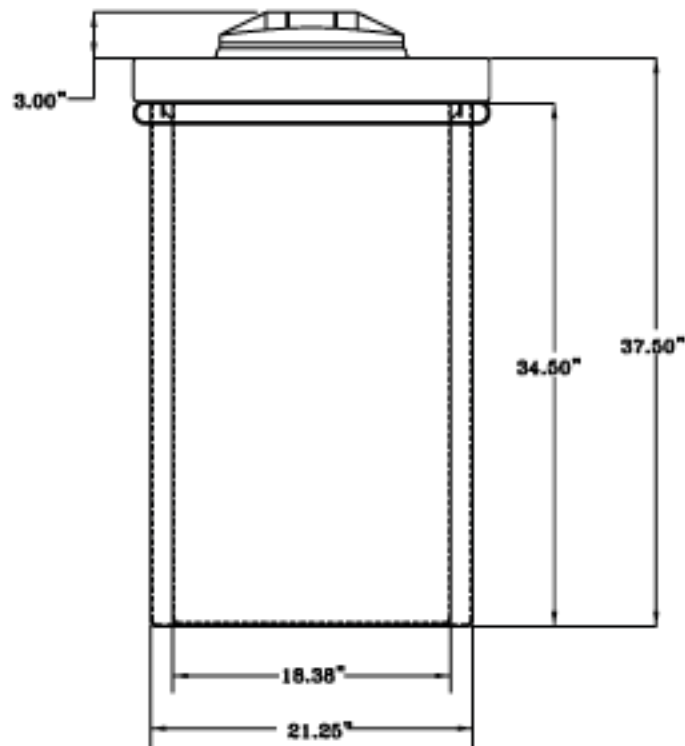


PLAN VIEW



40 GALLON



ELEVATION VIEW

- NOTES: TANK DESCRIPTION UNLESS OTHERWISE SPECIFIED**
1. STANDARD TANKS HAS GEMINI GRAPHICS. GEMINI TANKS ARE RATED FOR 1.9 SPECIFIC GRAVITY. FOR CUSTOM COMPANY LOGOS, ASK YOUR SALES ASSOCIATE.
 2. TANK CAPACITY: INNER TANK 40 GALLONS
 3. TANK CAPACITY: OUTER TANK 51 GALLONS
 4. COLOR: NATURAL OR BLUE
 5. MATERIAL: 100% CORROSION-FREE POLYETHYLENE



CUSTOMER:

DWG. TITLE STANDARD DUAL CONTAINMENT
TANK SYSTEM - 40 GALLON

DRAWN BY: D. MEADOWS	DATE: 9/15/05	DWG. NUMBER G40
--------------------------------	-------------------------	---------------------------

CHECKED BY:
L. PEABODY

APPROVED BY:

DRAWING NOT TO SCALE

SHEET **REV.**

1 OF 1

A