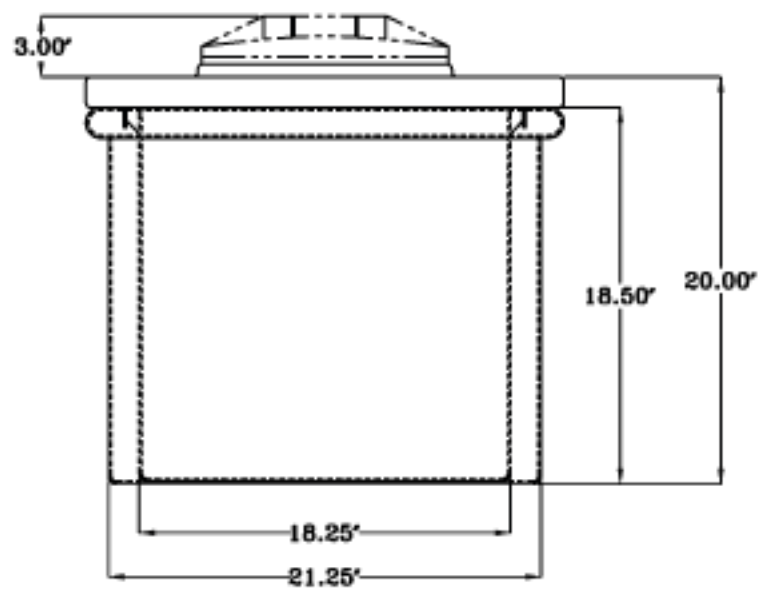


PLAN VIEW



20 GALLON



ELEVATION VIEW

- NOTES: TANK DESCRIPTION UNLESS OTHERWISE SPECIFIED
1. STANDARD TANKS HAS GEMINI GRAPHICS. GEMINI TANKS ARE RATED FOR 1.9 SPECIFIC GRAVITY. FOR CUSTOM COMPANY LOGOS, ASK YOUR SALES ASSOCIATE.
  2. TANK CAPACITY: INNER TANK 20 GALLONS
  3. TANK CAPACITY: OUTER TANK 28 GALLONS
  4. COLOR: NATURAL OR BLUE
  5. MATERIAL: 100% CORROSION-FREE POLYETHYLENE



CUSTOMER:			
DWG. TITLE		STANDARD DUAL CONTAINMENT TANK SYSTEM - 20 GALLON	
DRAWN BY:	DATE:	DWG. NUMBER	
D. MEADOWS	9/15/05	G20	
CHECKED BY:			SHEET
L. PEABODY			REV.
APPROVED BY:			1 OF 1
DRAWING NOT TO SCALE			A