

### SE411ASP or SEV412ASP:

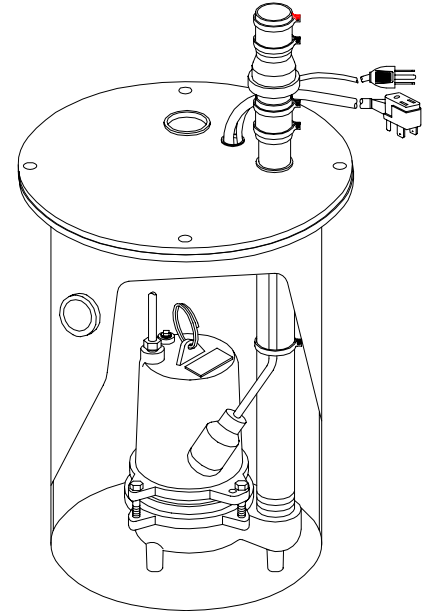
- One - **SE411A or SEV412A,**  
60Hz Heavy duty sewage pump
- One - **Level Control**  
Mechanical switch molded inside of a waterproof float. Single control turns pump on and off automatically.
- One - **1830 Polyethylene Basin**  
18" (457mm) Dia. x 30" (762mm) Deep, with 4" (102mm) Inlet Hole.
- One - **4" (102mm) Flexible Pipe Fitting Inlet**  
Super-tuff Sanoprene construction
- One - **18S22 Steel Cover**  
With black powder coating, 2" (51mm) vent and 2" (51mm) Discharge and cord openings
- One - **2" (51mm) Vertical Check Valve**  
With hose adaptors and clamps

Sch. 40 Discharge pipe, cover gasket, cover hardware, cord grommet, discharge and vent grommets also included.

### SEV412ASPI:

A Pre-Assembled simplex package same as SEV412ASP except it is IAPMO approved.

For additional pump data see:      Sect. 1B pages 1 - 3 for SE411 and  
   Sect. 1B pages 10 - 12 for SEV412.



**Series:    SE411ASP  
              SEV412ASP  
              SEV412ASPI\***

**\* IAPMO APPROVED**

### DESCRIPTION:

SIMPLEX SYSTEMS (ONE PUMP) ARE GOOD FOR RESIDENCES AND SMALL INDUSTRIAL SEWAGE OR SUMP APPLICATIONS. THEY ARE DESIGNED TO HANDLE WASTES FROM LAVATORIES, LAUNDRY TUBS, FLOOR DRAINS, WATER CLOSETS, ETC., AND WILL PUSH THE WATER FROM BELOW GROUND UP TO WHERE NORMAL DRAINAGE WILL HANDLE IT.

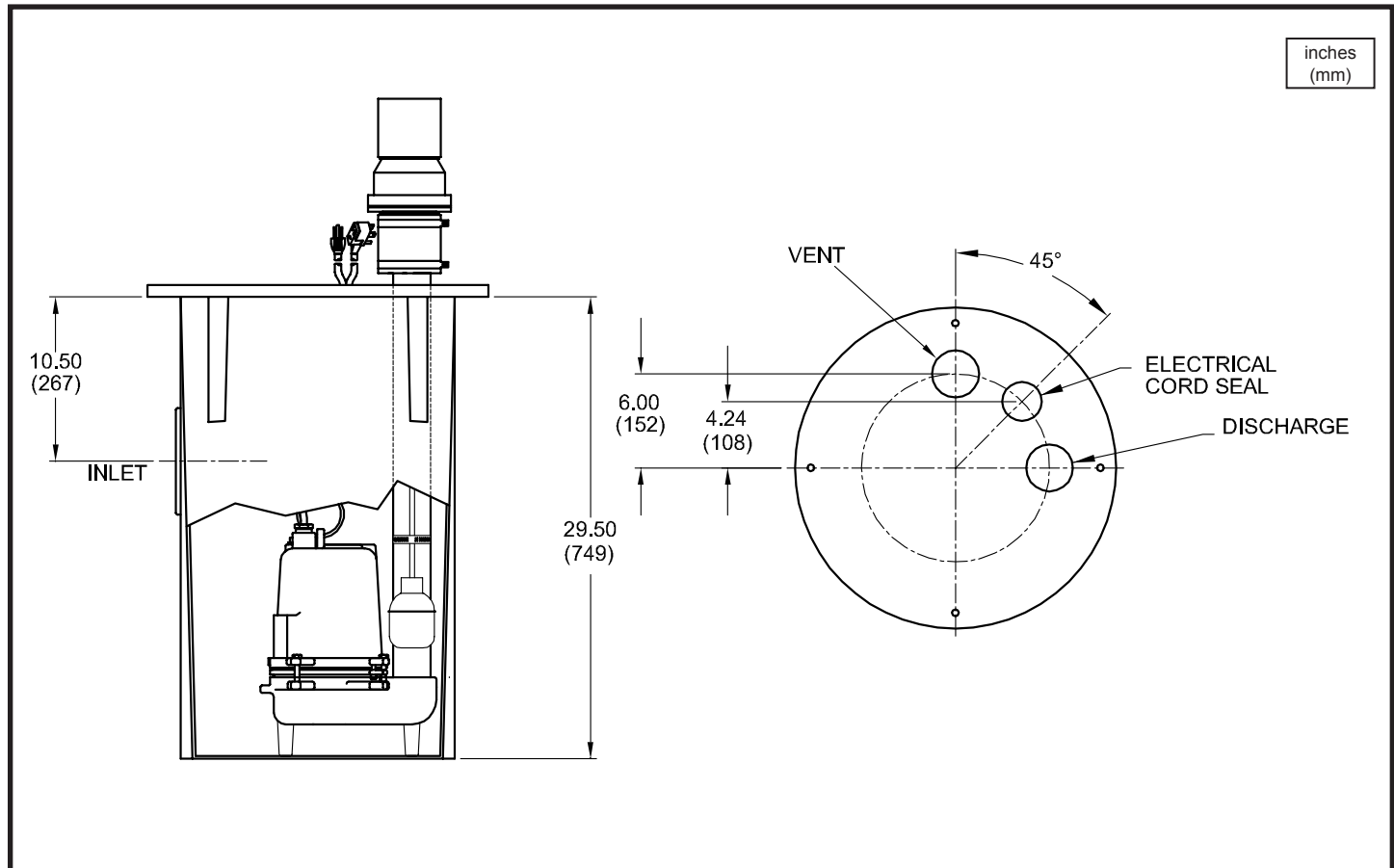
# Series SE & SEV-ASP

Pre-Assembled Simplex Systems

# BARNES®

www.cranepumps.com

## 1½", 2" & 3" Discharge



inches  
(mm)

MODEL NO	PART NO	DISCHARGE SIZE inch (mm)	VENT SIZE inch (mm)	INLET SIZE inch (mm)
SE411ASP	103135	2" (51)	2" (51)	4" (102)
SEV412ASP	102160	2" (51)	2" (51)	4" (102)
SEV412ASPI	102161	2" (51)	2" (51)	4" (102)

### IMPORTANT !

- 1.) PUMP MAY BE OPERATED "DRY" FOR EXTENDED PERIODS WITHOUT DAMAGE TO MOTOR AND/OR SEALS.
- 2.) THIS PUMP IS APPROPRIATE FOR THOSE APPLICATIONS SPECIFIED AS CLASS I DIVISION II HAZARDOUS LOCATIONS.
- 3.) THIS PUMP IS NOT APPROPRIATE FOR THOSE APPLICATIONS SPECIFIED AS CLASS I DIVISION I HAZARDOUS LOCATIONS.
- 4.) INSTALLATIONS SUCH AS DECORATIVE FOUNTAINS OR WATER FEATURES PROVIDED FOR VISUAL ENJOYMENT MUST BE INSTALLED IN ACCORDANCE WITH THE NATIONAL ELECTRIC CODE ANSI/NFPA 70 AND/OR THE AUTHORITY HAVING JURISDICTION. THIS PUMP IS NOT INTENDED FOR USE IN SWIMMING POOLS, RECREATIONAL WATER PARKS, OR INSTALLATIONS IN WHICH HUMAN CONTACT WITH PUMPED MEDIA IS A COMMON OCCURRENCE.

SECTION 1B  
PAGE 22  
DATE 6/04

## CRANE®

A Crane Co. Company

## PUMPS & SYSTEMS

USA: (937) 778-8947 • Canada: (905) 457-6223 • International: (937) 615-3598