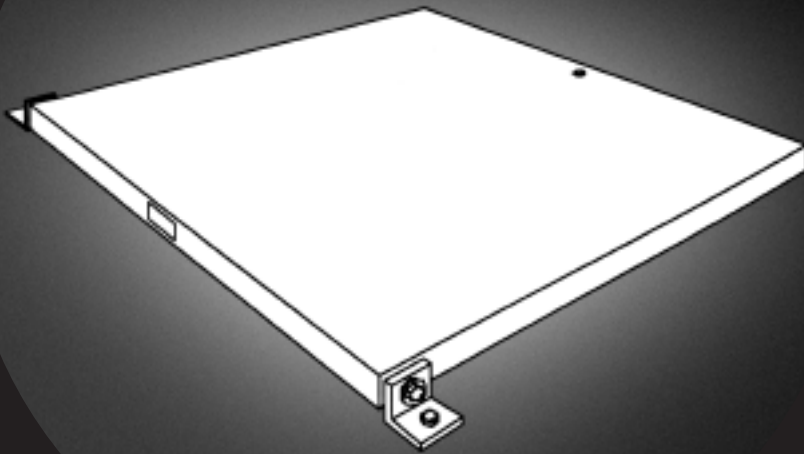


LP4310

Economy Low-Profile Weigh Platform

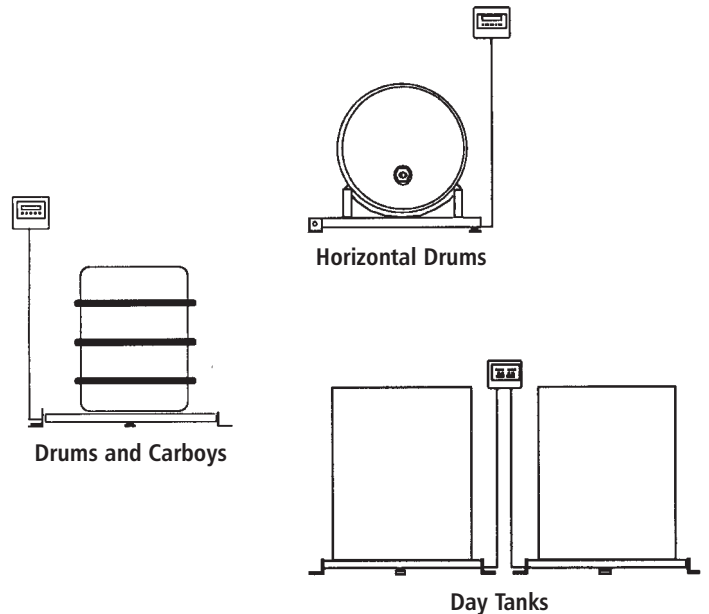


Features

- Low cost
- Low 3-inch platform height
- Floating ball-bearing leveling foot adjusted from top of platform
- Four standard deck sizes
- Environmentally-sealed stainless steel load cell
- All stainless steel hardware
- Capacities to 10,000 lbs.
- Factory calibrated
- 2-year base warranty

LP4310

Eagle Microsystems Economy Weigh Platforms provide a cost effective way to monitor liquid levels in barrels, carboys, day tanks and other containers. The LP4310 scale uses a simple, single load cell/hinge design best suited for weighing liquids in stationary containers. The LP4310 is easy to install and maintain. Leveling is performed from the top of the scale with a screwdriver. The rugged steel weighing surface is protected by a textured Poline finish. The load cells, leveling feet and hardware are stainless steel. Use with Eagle Microsystems all-digital display instruments. See Data Sheet EI-1000/EI-2000.



Your Source for Precision Process Solutions

eagle
MICROSYSTEMS

LP4310

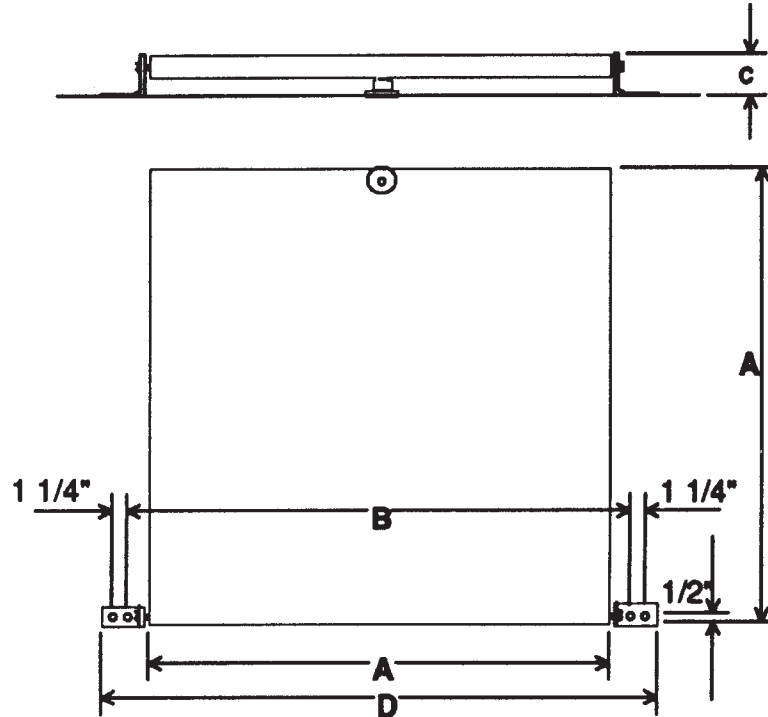
Economy Low-Profile Weigh Platform

Specifications	
Accuracy	±.25% of F.S.
Safe Load	200% of Capacity
Load Cell	S.S. Beam type
Leveling Feet	S.S. Captive ball
Hardware	Stainless Steel
Decking	Cold Rolled Steel
Standard Finish	Textured Poline
Connection Cable	15 ft. shielded

Options	Capacity
Custom platform sizes	1000 lbs.
Stainless steel deck	2000 lbs.
Loading ramps	4000 lbs.
Epoxy coating	10,000 lbs.*
Barrel stops & tie downs	
Custom equipment/vessel mounts	
PVC deck cover	
NTEP Approved Loadcell	

Size				
SIZE	A	B	C	D
30x30	30"	32-1/4"	3"	36-1/4"
36x36	36"	38-1/4"	3"	42-1/4"
42x42	42"	44-1/8"	3"	48-1/4"
48x48	48"	50-1/4"	3"	54-1/4"

*C Dimension = 4"



Mounting Diagram

