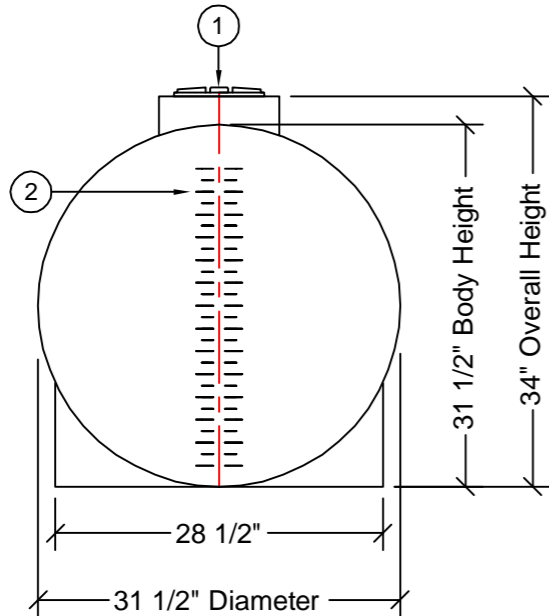
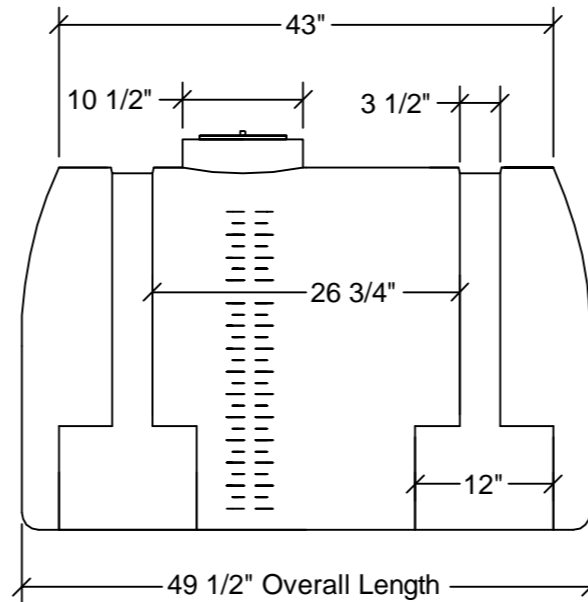


PLAN VIEW



FRONT VIEW



SIDE VIEW

NOZZLE SCHEDULE

ITEM	SIZE	DESCRIPTION	NOTES

NOTES:

- 1. 8" THREADED MCPHEE LID
- 2. MOULDED IN CALIBRATION (3 PLACES)

REV	DATE	DESCRIPTION	BY	APPD	REVD

REVISIONS

CUSTOMER

TITLE

ACO JOB NO: \_\_\_\_\_

PURCHASE ORDER NO: -

PURCHASER'S EQUIP. NO: -

THIS DRAWING IS THE PROPERTY OF ACO CONTAINER SYSTEMS LTD.  
AND SHALL NOT BE COPIED OR TRANSFERRED WITHOUT THE  
WRITTEN CONSENT OF ACO CONTAINER SYSTEMS LTD.

ENGINEERS SEAL

**ACO CONTAINER SYSTEMS LTD.**

PICKERING - ONTARIO - CANADA

ACO CONTAINER SYSTEMS LTD. 794 MCKAY RD. PICKERING, ONTARIO, CANADA L1W 2Y4 TEL. 905-683-8222 FAX 905-683-2969	DESIGNED DRAWN CHECKED APPROVED SCALE DATE	S.A. J.M.    N.T.S. 08-29-06
---	---	--

DWG No **IHFS-125**

REV **0**