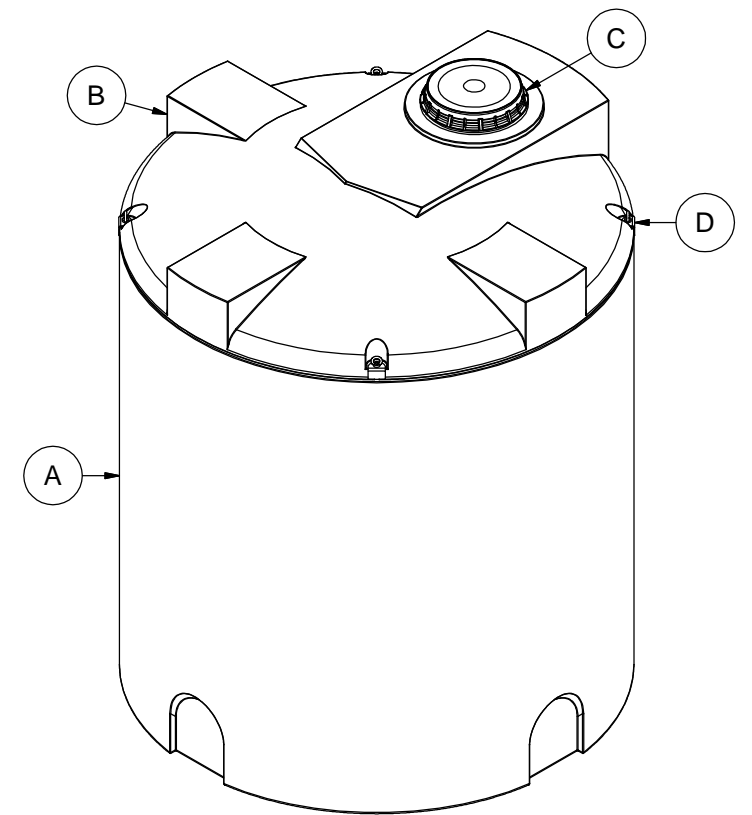
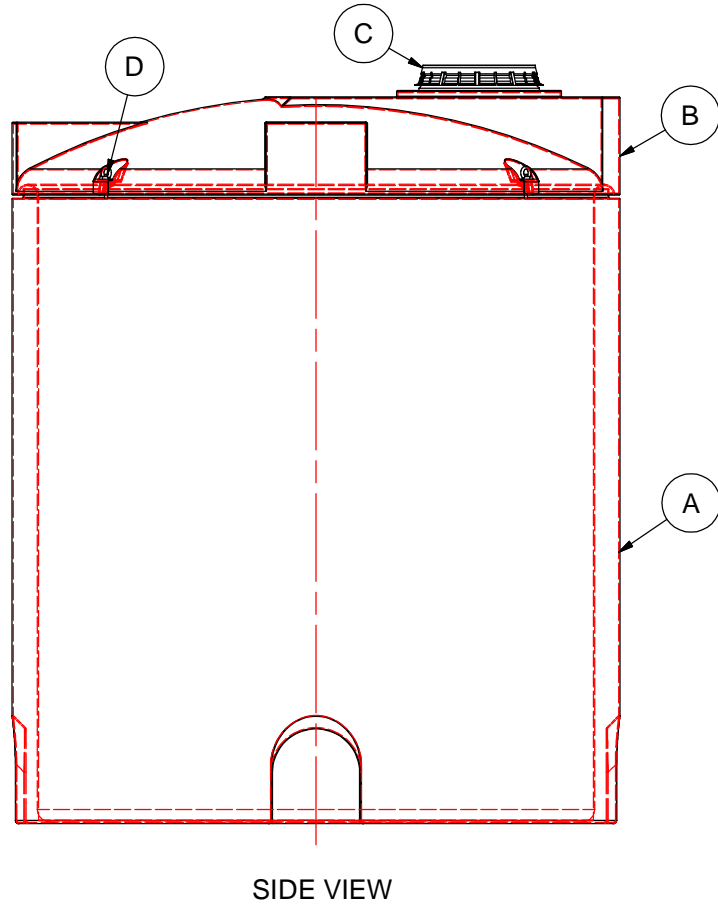
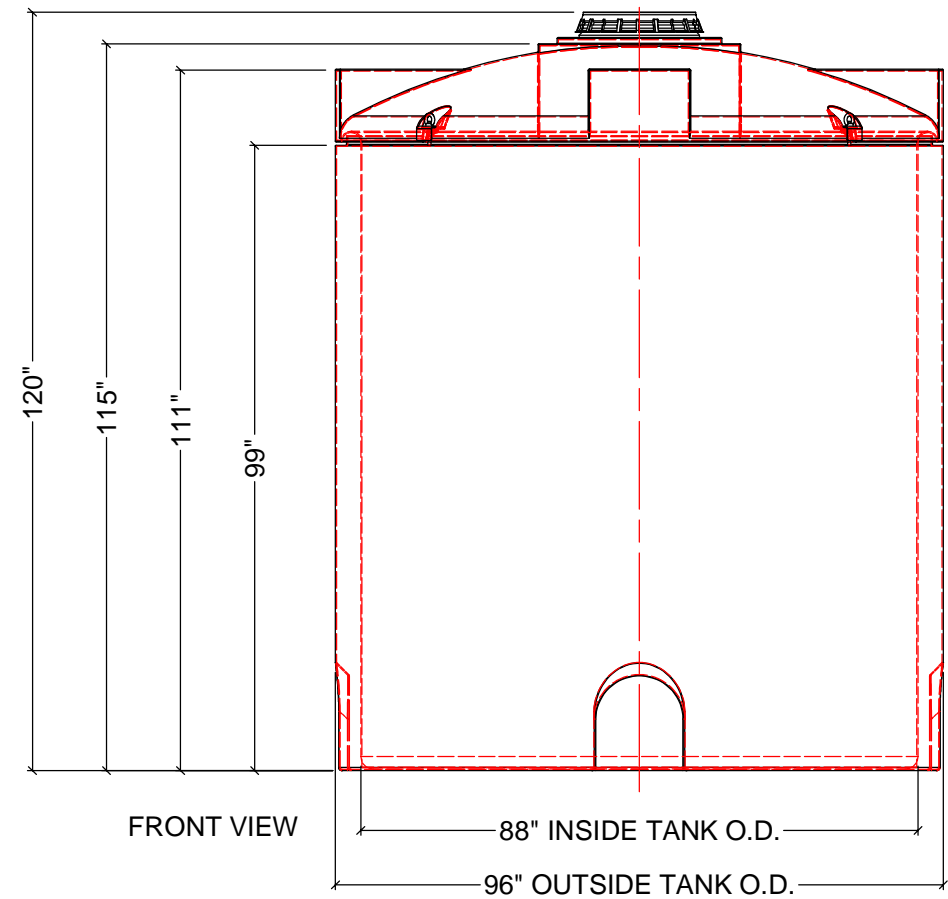


NOTES:

1. TANK IS MANUFACTURED TO ASTM-D-1998 STANDARD.
2. ALL DIMENSIONS ARE APPROXIMATE.

| MATERIALS LIST |  |          |
|----------------|--|----------|
| ITEMS          | DESCRIPTION  | NOTES    |
| A              | DMT-2100-OUTSIDE   |          |
| B              | DMT-2100-INSIDE  |          |
| C              | 16" LID WITH LOCKING STRAP<br>(OPTIONAL 21" TREADED LID) |          |
| D              | DMT LIFTING LUG ASSEMBLY                                 | 4 PLACES |
|                |  |          |
|                |  |          |
|                |  |          |
|                |  |          |
|                |  |          |



| REV   | DATE | DESCRIPTION                       | BY  | APPD     | REVD |
|---|------|-----------------------------------|---|----------|------|
| REVISIONS   |      |                                   |   |          |      |
| CUSTOMER  |      |                                   |   |          |      |
| TITLE<br>2100 I.G. DOUBLE WALL TANK   |      |                                   | ACO JOB NO:<br>PURCHASE ORDER NO:<br>PURCHASER'S EQUIP. NO: |          |      |
| THIS DRAWING IS THE PROPERTY OF ACO CONTAINER SYSTEMS LTD. AND SHALL NOT BE COPIED OR TRANSFERRED WITHOUT THE WRITTEN CONSENT OF ACO CONTAINER SYSTEMS LTD. |      |                                   |   |          |      |
| ENGINEERS SEAL  |      | <b>ACO CONTAINER SYSTEMS LTD.</b> |   |          |      |
| PICKERING - ONTARIO - CANADA  |      | DESIGNED                          |   | DRAWN    |      |
| ACO CONTAINER SYSTEMS LTD.  |      | DRAWN                             |   | WM       |      |
| 794 MCKAY RD.   |      | CHECKED                           |   | APPROVED |      |
| PICKERING, ONTARIO, CANADA  |      | CHECKED                           |   | APPROVED |      |
| L1W 2Y4   |      | SCALE                             |   | N.T.S.   |      |
| TEL. 905-683-8222   |      | DATE                              |   | 20-05-09 |      |
| FAX 905-683-2969  |      | DATE                              |   | 20-05-09 |      |
| DWG No  |      | DMT-2100                          |   |          | REV  |
|   |      |                                   |   |          | 0    |